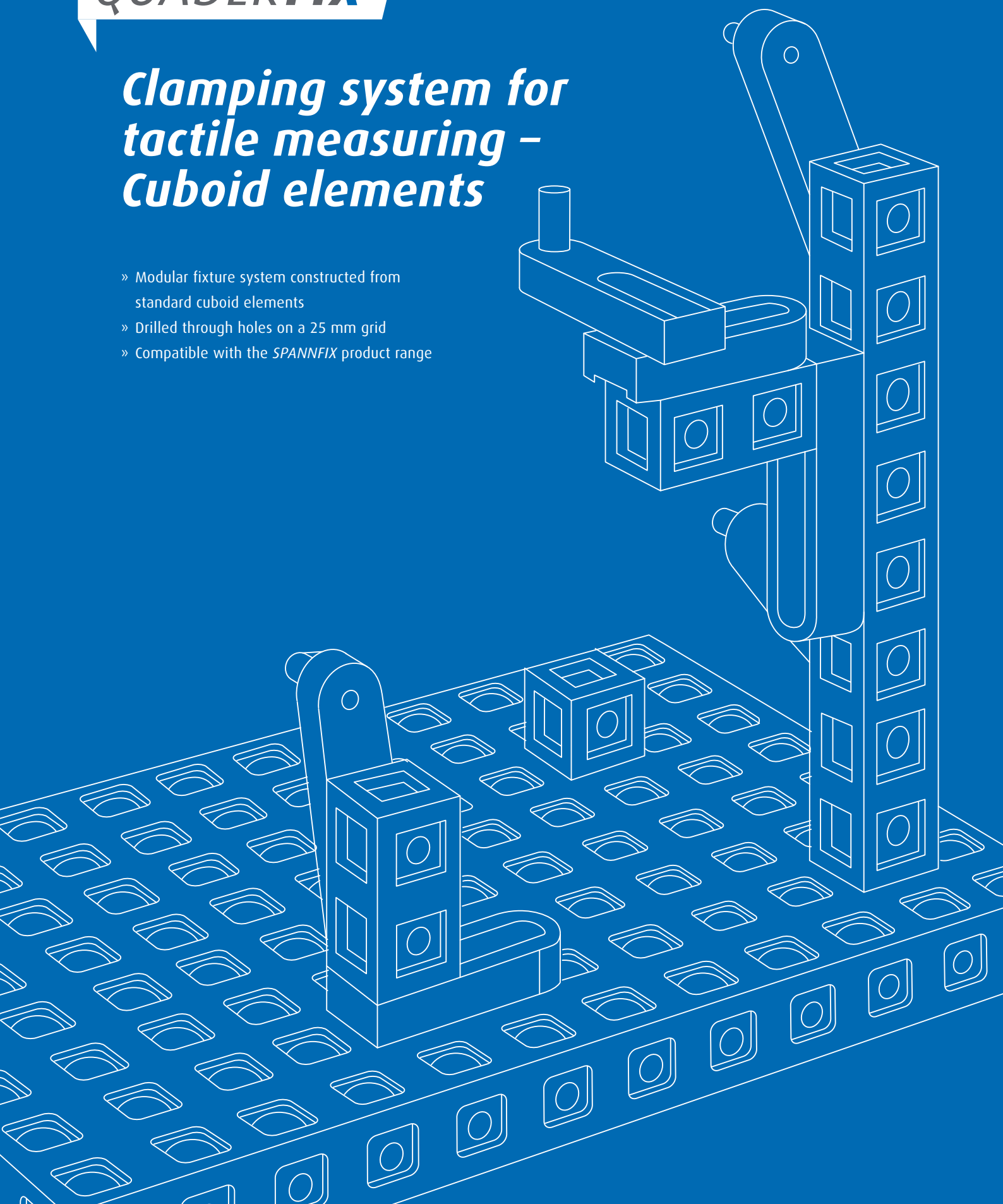


QUADERFIX

Clamping system for tactile measuring – Cuboid elements

- » Modular fixture system constructed from standard cuboid elements
- » Drilled through holes on a 25 mm grid
- » Compatible with the *SPANNFIX* product range



Basic elements
+ accessories



Cuboid baseplates

Page 192 [+](#)

Structural elements
+ accessories



Cuboid columns

Page 194



Cuboid plates

Page 195



Cuboid V-blocks

Page 196



Cuboid inverted V-block pairs

Page 196



Cuboid reinforcement brackets

Page 198



Cuboid reinforcement struts

Page 198



Cuboid rotatable adapters

Page 199



Column connector swivelling

Page 199



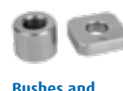
Cuboid adjustable mounting rails

Page 200



Cuboid X/Y positioning elements

Page 200



Bushes and adapters

Page 201



Adapter nut

Page 201



Rail for support pins

Page 202



Adapter for support pins

Page 202



Support pins

Page 203



Hexagonal extensions M6

Page 204



Jack screws M6

Page 204



Base rail M10

Page 206



Thread reducer extension piece

Page 206



Hexagonal extensions M10

Page 207



Self-aligning pads M10

Page 208



Jack screws M10

Page 208



Quick-change mount M10

Page 209



Screw jack set with spring finger

Page 210 [+](#)



Cuboid stops

Page 211

Clamping elements



Spring fingers

Page 212



Columns with screw

Page 213



Adapter plates for columns

Page 214



Toggle clamps with support

Page 215



Cuboid T-slot adapter

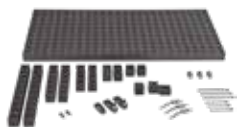
Page 216



Quick-action clamp Quaderfix

Page 217

Sets



Quaderfix basic set

Page 218



Quaderfix expansion set

Page 220



Quaderfix fasteners

Page 221

Reproducible, anti-twist 3D fixtures through profile grid pattern

QUADERFIX elements are as easy to understand as building blocks, free spatial positioning and as rigid as if milled from a solid block. The program is so variable and simultaneously, equipped with so many accessories and high compatibility to the other dk fixating systems that highest versatility is the result. Even though QUADERFIX is basically designed to support dk's market leadership in the field of test piece sizes up to 1,000 mm, there is no weight and size limit for the workpieces to be mounted in this fixation program. It is therefore ideal for providing users optimum support where part sizes are mainly, but not only in the medium size range. The system integrity over basic, construction, positioning and clamping elements applies within QUADERFIX and at the same time extends over the majority of the other dk fixation systems. This makes this program incredibly high-performance.

QUADERFIX is therefore integral to dk's unique market position as developer, manufacturer and retailer of user-oriented, efficient and sustainable fixturing systems.

Basic elements

- 1 Cuboid baseplate (page 192)



- Other accessories (page 193)



Structural elements

- 2 Cuboid columns (page 194)



- 3 Support pins (page 203)

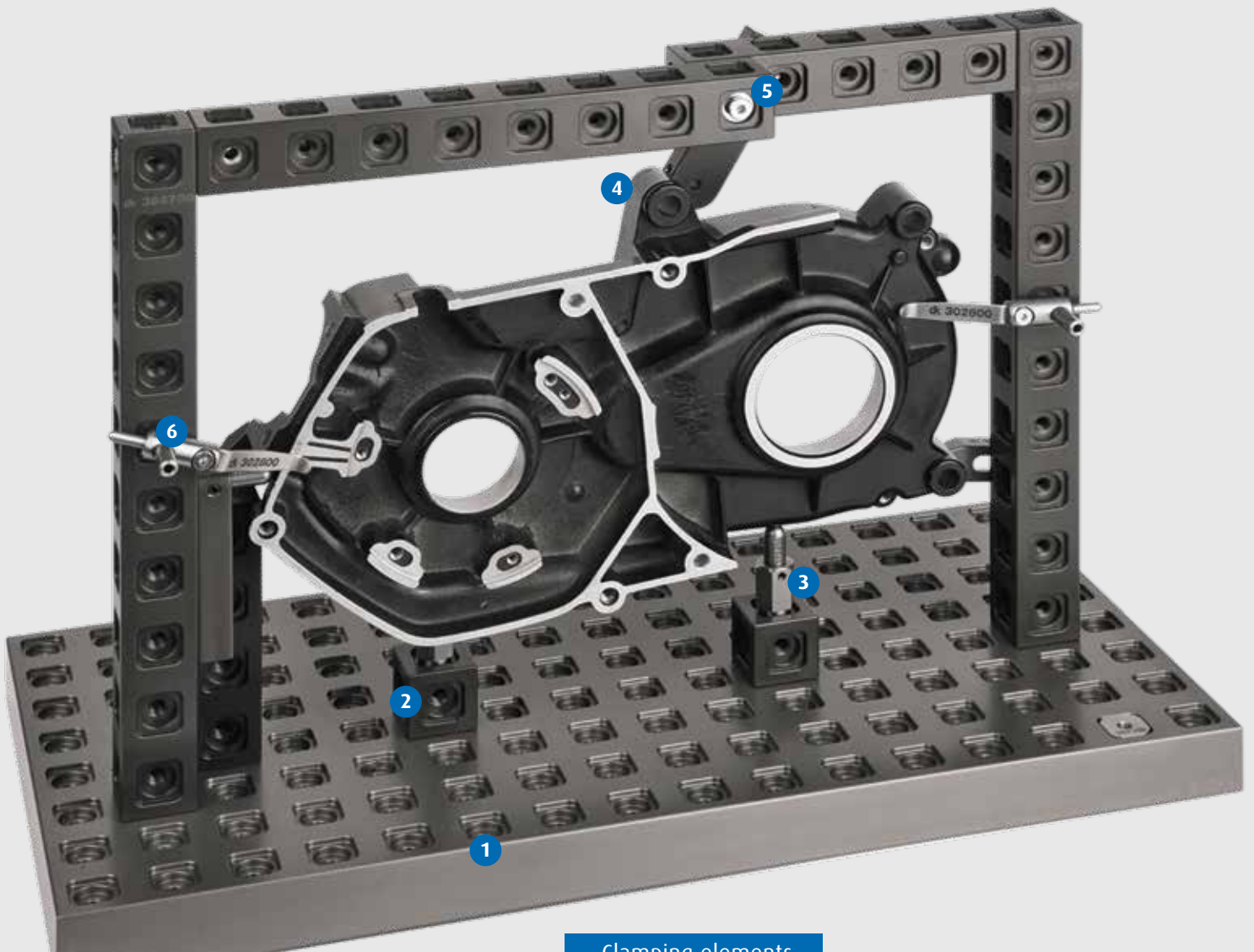


- 4 Cuboid X/Y positioning element (page 200)



- 5 Adapter nut (page 201)





Clamping elements

- 6 Spring fingers (page 212)



All clamping elements included in Spannfix PRO (pages 130 to 143) and Spannfix ECO (pages 172 to 181) can also be used with the QUADERFIX system.

Other versions
(pages 195–197)



Accessories (page 202)



Other versions (page 200)



**FAST
REASSEMBLY
LIFELONG**

Cuboid baseplates

Description

Baseplate with square push-fit sockets for anti-twist mounting of the modular elements and M6 connection threads in a 25 mm grid pattern.

Material

Hard-coated aluminium.



Order No.	Length	Width	Height	Weight
361700	400	200	25	4.7
362000	500	250	25	7.4
362100	600	300	25	10.7

Quad

Application example



+ Column and plate connector

Description

Plate connector for Quaderfix baseplates.
For joining columns and plates.

Material

Hard-coated aluminium.



Order No.	Length	Width	Height	
363300	100	25	12	Quad

+ Clamping claws

Description

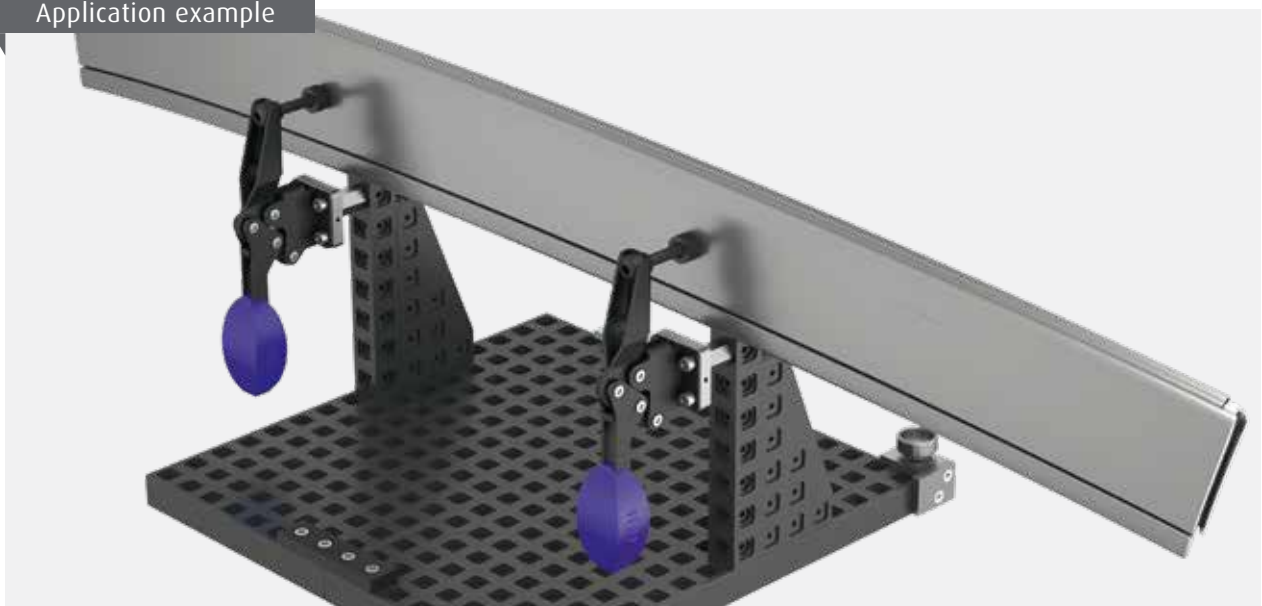
A set of clamping claws for the 25 mm thick dk Quaderfix plates. The claws are screwed onto the measuring machine table. Check the table thread sizes before ordering. These elements provide a stop for repeat positioning accuracy while simultaneously securely clamping the dk baseplates.



Order No.	For plate thickness	Thread	Contents
281406	25	M 6	1 set
281408	25	M 8	1 set
281410	25	M 10	1 set
281412	25	M 12	1 set

M ...

Application example



Cuboid columns

Description

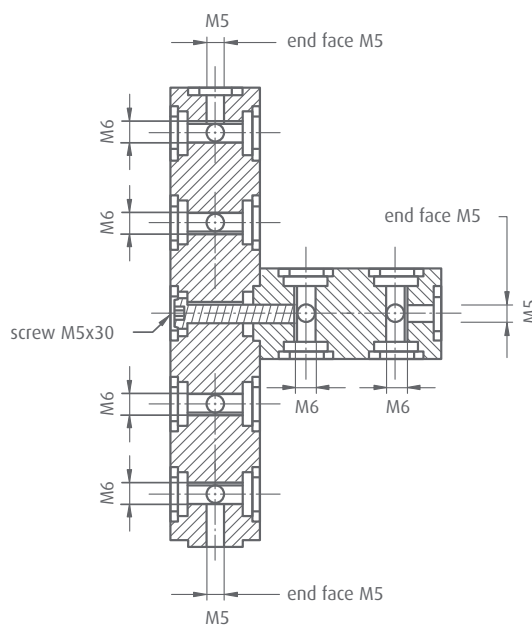
Cuboid column with a 25 mm connection thread spacing. Square push-fit sockets for anti-twist mounting of module elements with M6 connection threads, M5 on end faces.

Material

Hard-coated aluminium.



Application example



Order No.	Length	Width	Height	Weight
364000	25	25	25	0.03
364100	50	25	25	0.07
364200	75	25	25	0.1
364300	100	25	25	0.13
364400	125	25	25	0.17
364500	150	25	25	0.2
364600	200	25	25	0.27
364700	250	25	25	0.34
364800	500	25	25	0.68



Cuboid plates

Description

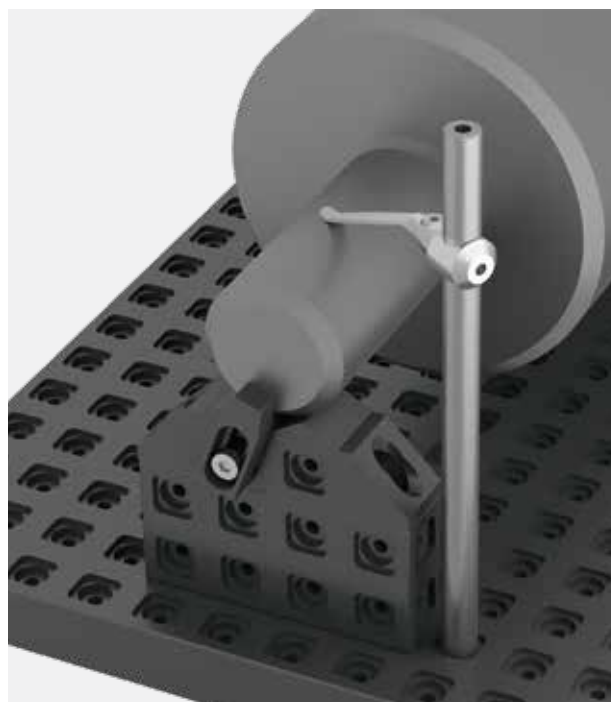
Cuboid plates with a 25 mm grid pattern. Square push-fit sockets for anti-twist mounting of module elements with M6 connection threads, M5 on side faces. Also suitable as baseplate for smaller clamping tasks.

Material

Hard-coated aluminium.



Application examples



Order No.	Length	Width	Height	Weight
360100	50	100	25	0.29
360300	50	150	25	0.43
360400	50	200	25	0.57
360500	50	250	25	0.72
360600	50	500	25	1.44
360900	100	200	25	1.3
361600	200	300	25	3.6

Quad

Cuboid V-blocks

Description

Cuboid 120° V-blocks Square push-fit socket for anti-twist mounting of module elements with M6 connection threads, M5 on top faces.

Material

Hard-coated aluminium.

Contents

1 pair.



Order No.	Length	Width	Height	Clamping Ø	Weight	Fig.
359400	100	25	50	100	0.27	1
359500	150	25	50	200	0.36	

Quad

Cuboid inverted V-block pairs

Description

Pair of inverted V-blocks. Square push-fit sockets for anti-twist mounting of module elements with M6 connection threads, M5 on bottom face.

Material

Hard-coated aluminium.

Contents

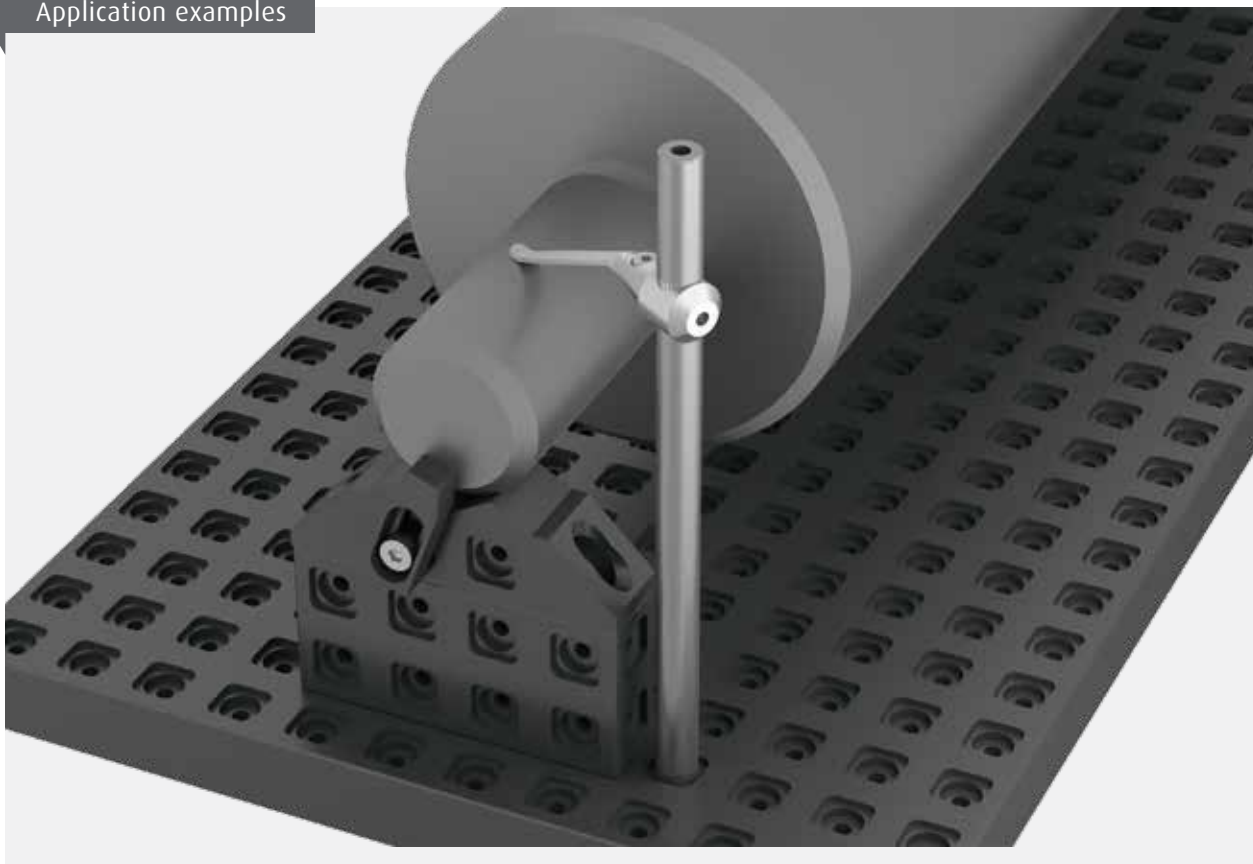
One pair.



Order No.	Prism	Length	Width	Height	Weight	Fig.
359600	90°	25	25	25	0.04	1
359700	90°	50	25	25	0.08	
359800	120°	25	25	25	0.04	
359900	120°	50	25	25	0.07	

Quad

Application examples



Cuboid reinforcement brackets

Description

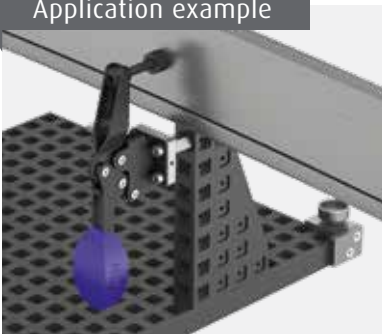
Angle block for reinforcement or to ease assembly. With the bracket 366000 cuboid columns or V-block elements can be mounted on the baseplate from above. Fastening from the plate underside is not required.

Material

Hard-coated aluminium.



Application example



Order No.	Length	Width	Height	Weight
366000	25	25	25	0.04
357000	100	50	25	0.24
357100	150	75	25	0.49

Quad

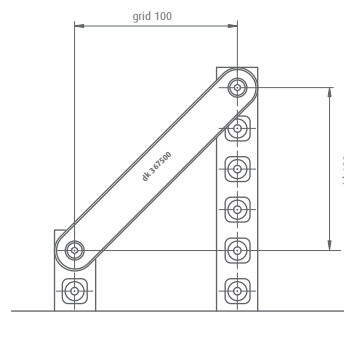
Cuboid reinforcement struts

Description

Struts for increasing rigidity and strengthening larger constructions or by very heavy workpieces.

Material

Hard-coated aluminium.



Order No.	Pattern	Length	Hole spacing	Width	Thickness
367500	100/100	166	142	25	12
367600	150/150	236	212	25	12
367700	250/250	378	354	25	12
367800	350/350	520	495	25	12

Quad

Cuboid rotatable adapters

Description

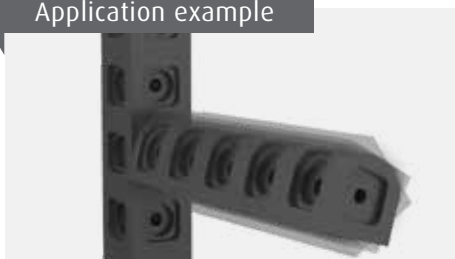
Cuboid rotatable adapters Enable e.g. cuboid columns or V-blocks to be mounted in a rotated position.

Material

Hard-coated aluminium.



Application example



Order No.	Length	Width	Height	Weight
366500	25	25	25	0.04

Quad

Column connector, swivelling

Description

Swivelling connector for columns. To connect columns in a continuously adjustable angle.

Material

Hard-coated aluminium.

Contents

1 pair.



Application example



Order No.	Length	Width	Height	Version
363600	58	25	8	Swivelling

Quad

Cuboid adjustable mounting rails

Description

Adjustable rails for mounting cuboid elements or threaded columns.

Material

Hard-coated aluminium.



Application example



Quad

Order No.	Length	Width	Height	Adjustment range	Fig.
357800	83	25	12.5	38	1
366400	60	25	25	15	2

Cuboid X/Y positioning elements

Description

X/Y adjustment element for positioning cuboid elements outside the 25 mm grid pattern.

Material

Hard-coated aluminium.

Application example



Quad

Order No.	Length	Width	Height	Adjustment range
357500	65	65	25	15

Bushes and adapters

Description

Centring bush and plate for locating cuboid elements that are to be screwed together. Centring plate secured against rotation.

Material

Stainless steel.



Order No.	Description	Fig.
367000	Centring plate	1
367200	Centring bush	2

Quad

Adapter nut

Description

Adapter for fastening cuboid elements with M5 threads.

Material

Stainless steel.



Order No.	Description
367100	M5 adapter nut

Quad

Rail for support pins

Description

Adjustable rail for support pins.
Hole Ø4 mm / Slot width 6 mm.

Material

Hard-coated aluminium.



Application example



Order No.	Length	Width	Height	Adjustment range
357700	72	20	12	25

Adapter for support pins

Description

With Ø4 mm hole for support pins.
M5 or M6 connection thread.

Material

Stainless steel.



Order No.	Male thread	Female thread	Height	Fig.
356600	M 5	-	20	
356400	M 6	-	20	1
356700	-	M 5	20	2



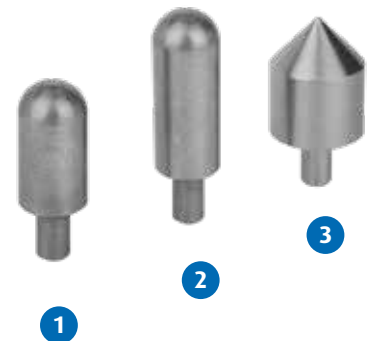
Support pins

Description

Support pins and centre points for adapters and rails with $\varnothing 4$ mm holes.

Material

Stainless steel.

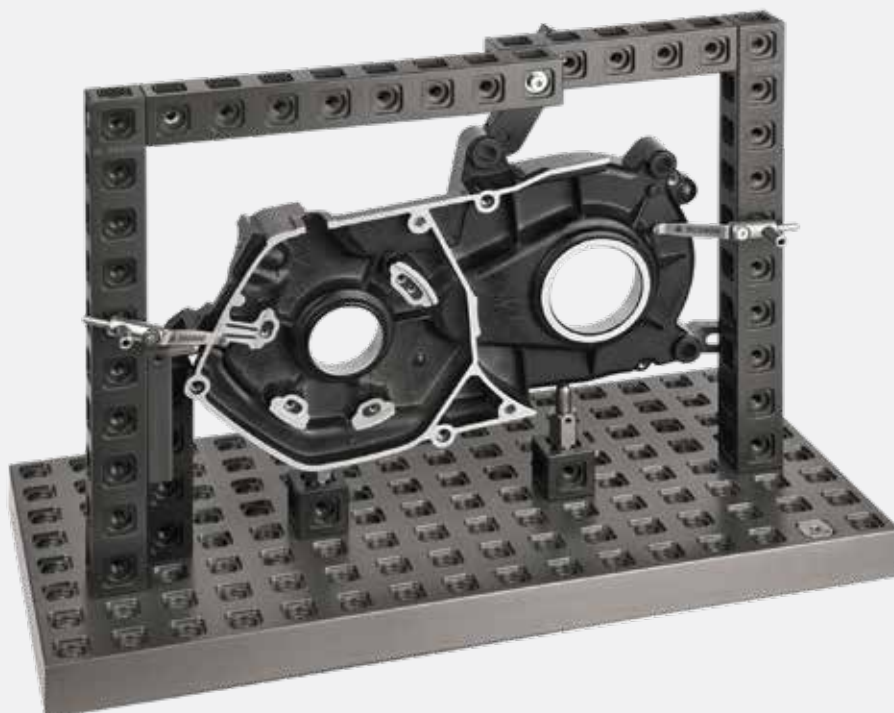


Application example



Order No.	Version	Diameter	Fig.
319400	R4 x 15 mm pin	8	1
319500	R4 x 20 mm pin	8	2
319300	90° centre point	12	3

Application example



Hexagonal extensions M6

Description

M6 extension pieces for screwing directly onto baseplates or onto cuboid columns. Hexagon 13 mm.



Order No.	Male thread	Female thread	Length
322250	M 6	M 6	15
322350	M 6	M 6	25
322450	M 6	M 6	50

Jack screws M6

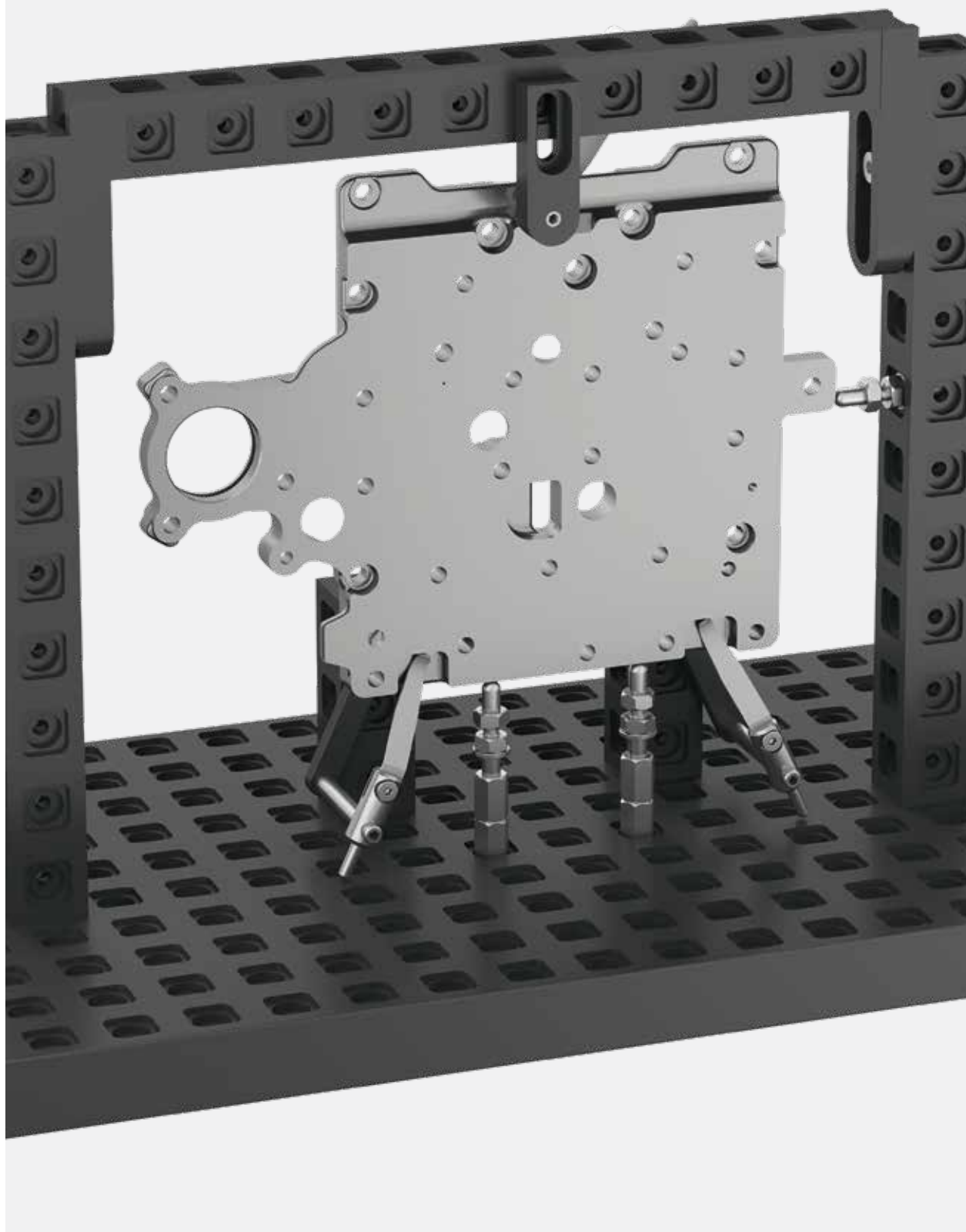
Description

Height adjustable supports. The M6 thread enables screwing directly into baseplates, horizontally into cuboid columns or joining to M6 hexagonal extensions.



Order No.	Version	Length	Fig.
322750	R3 mm ball-end	40	1
323050	self-aligning pad, steel, +/- 10°	35	2
323060	self-aligning pad, plastic, +/- 10°	35	
323070	Ø6 mm 5 N magnetic pin	42	3

Application example



Base rails M 10

Description

Adjustable base rail with slot and M10 thread for mounting M10 extension pieces.

Material

Hard-coated aluminium.

Supplied with

M6 screw.



Order No.	Slot width	Adjustment range	Length	Width	Height
322010	6	60	105	25	12

M 10	M 10
M ...	T-Nut

Thread reducer extension piece

Description

Adapter element with centring ring for cuboid elements.

Material

Stainless steel.



Order No.	Connection 1	Connection 2	Length
369000	Male M 5	Female M 6	12
369200	Male M 5	Female M 8	28
356200	Male M 5	Female M 10	39
369100	Male M 6	Female M 8	28
356000	Male M 6	Female M 10	39
356300	Female M 5	Female M 10	30

M ...
Quad

Hexagonal extensions M10

Description

Hexagonal extension pieces with male thread one end and female thread other end. For screwing onto thread reducers and base rails to incrementally raise the height. Width across flats 17 mm.

Material

Stainless steel.



Order No.	Male thread	Female thread	Length
322200	M 10	M 10	25
322300	M 10	M 10	35
322400	M 10	M 10	50
304400	M 10	M 10	100
253500	M 10	M 10	150

M 8

M 10

Application example



Self-aligning pads M10

Description

Support with flattened, swivel ball to compensate for surface irregularities. Can be screwed onto hexagonal extension pieces or directly into base rails.

Material

Stainless steel/black oxidised steel.

Supplied with

Locknut.



Order No.	Support	Swivel range	Adjustment range	Length
323000	Ø 8	± 15°	15	46

M 10

Jack screws M 10

Description

Height adjustable supports for centring and supporting test parts.

Material

Stainless steel.

Supplied with

Locknut.



Order No.	Version	Adjustment range	Length	Fig.
322600	90° cone point, Ø10	15	50	1
322700	R5 mm ball-end	25	63	2

M 10

M 10 quick-change mount

Description

Quick-change adapter M 10 for SWA 5 / SWA 8 modules.

Material

Stainless steel.

Supplied with

Locknut.



Order No.	Version	Adjustment range	Length
329400	SWA 5	25	55
329500	SWA 8	25	57

SWA 5	SWA 8
M 10	M 10

Accessories

+ Centre points

Description

90° centre points with SWA 8 quick-change mount.

Material

Hard-coated aluminium.

Order No.	Diameter	Height	Fig.
303600	15	20	1
303700	25	20	2
303800	40	24	3



SWA 8

+ Prism supports

Description

120° prism supports with SWA 8 or SWA 5 quick-change mount.

Material

Hard-coated aluminium.

Order No.	Clamping range	Prism length	Connection	Height	Fig.
323500	Ø 2-60	8	SWA 8	35	1
323400	Ø 2-60	40	SWA 8	33	2



SWA 5 SWA 8

Accessories

+ Flat supports

Description

Flat supports in various versions: flat face, straight step and prism step. With SWA 8 quick-change mounts.

Material

Hard-coated aluminium.



Order No.	Version	Diameter	Height	Step height	Fig.
303805	Flat face	25	20		1
303810	Straight step	25	20	5	2
303815	Prism step	25	20	5	3

SWA 8

Screw jack set with spring finger

Description

Adjustable base rail with support and spring finger. The support height is adjustable.

Material

Hard-coated aluminium/stainless steel.

Supplied with

Base rail (322010), extension piece (322200), jack screw (322700), adapter plate for columns (353700), column with screw (368300), spring finger (302800), locknut and M6 fastening screw.

See T-slot nuts page 108 for fastening the base rail in a T-slot.



Order No.	Adjustment range	Length	Width	Support height
322005	60	105	25	80-90

M 6 T-Nut

Cuboid stops

Description

Stops for cuboids. Fixed or adjustable versions with ball support.

Material

Hard-coated aluminium/steel.



Order No.	Version	Adjustment range	Fig.
366600	Fixed	15 mm rail	1
366700	Adjustable	15 mm rail, 20 mm stop	2

Quad

Application example



Spring fingers

Description

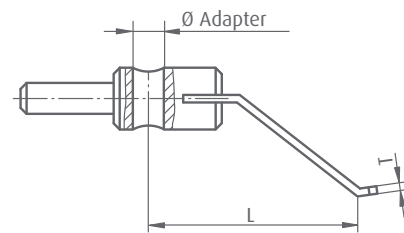
For the simple and quick holding down of workpieces.
Self-locking on round columns due to the applied tension by manually pressing down.



Material

Stainless steel.



Application example



- Version flat 
- forked 
- round 

Order No.	Adapter Ø	Version	T	L	Fig.
302750	6	Round	1.1	50	
302760	6	Round	1.5	50	
302800	6	Flat	1	50	1
302900	6	Flat	1	75	
302810	6	Flat	1	90-125	2
302910	6	Flat	1	115-150	
302300	12	Flat	1	75	3
302400	12	Flat	1	95	
302320	12	Flat	1	120-150	
302500	12	Flat	1.5	75	
302600	12	Flat	1.5	95	
302520	12	Flat	1.5	120-150	
302350	12	Round	2.5	80	4
302340	12	Round	3	80	
302510	12	Forked	1.5	75	5
302610	12	Forked	1.5	95	

Columns with screw

Description

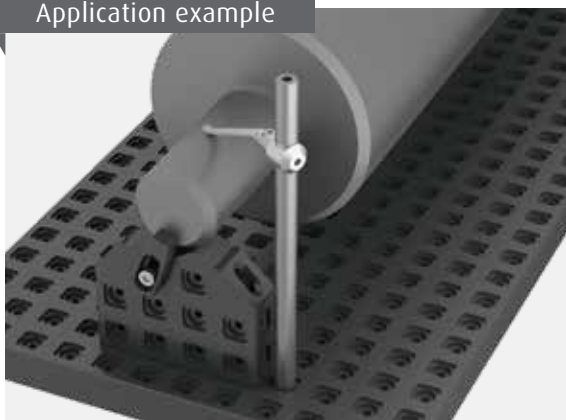
Columns with threaded connection for mounting spring fingers or for use as a stop element.

Material

Stainless steel.



Application example



Order No.	Column Ø	Thread	Length
368100	6	M 6	30
368120	6	M 8	30
368200	6	M 6	50
368220	6	M 8	50
368300	6	M 6	75
368400	6	M 6	100
368500	6	M 6	125
368505	6	M 6	150
368600	12	M 6	50
368620	12	M 8	50
368700	12	M 6	100
368720	12	M 8	100
368800	12	M 6	150
368820	12	M 8	150
368900	12	M 6	200
368920	12	M 8	200
368610	12	M 10	50
368710	12	M 10	100
368810	12	M 10	150
368910	12	M 10	200

M ...

Adapter plates for columns

Description

Adapter plates for columns with M6 threads (e.g. for spring fingers) for mounting on M10 hexagonal extension pieces, self-aligning pads, rest pins and quick-change adapters.

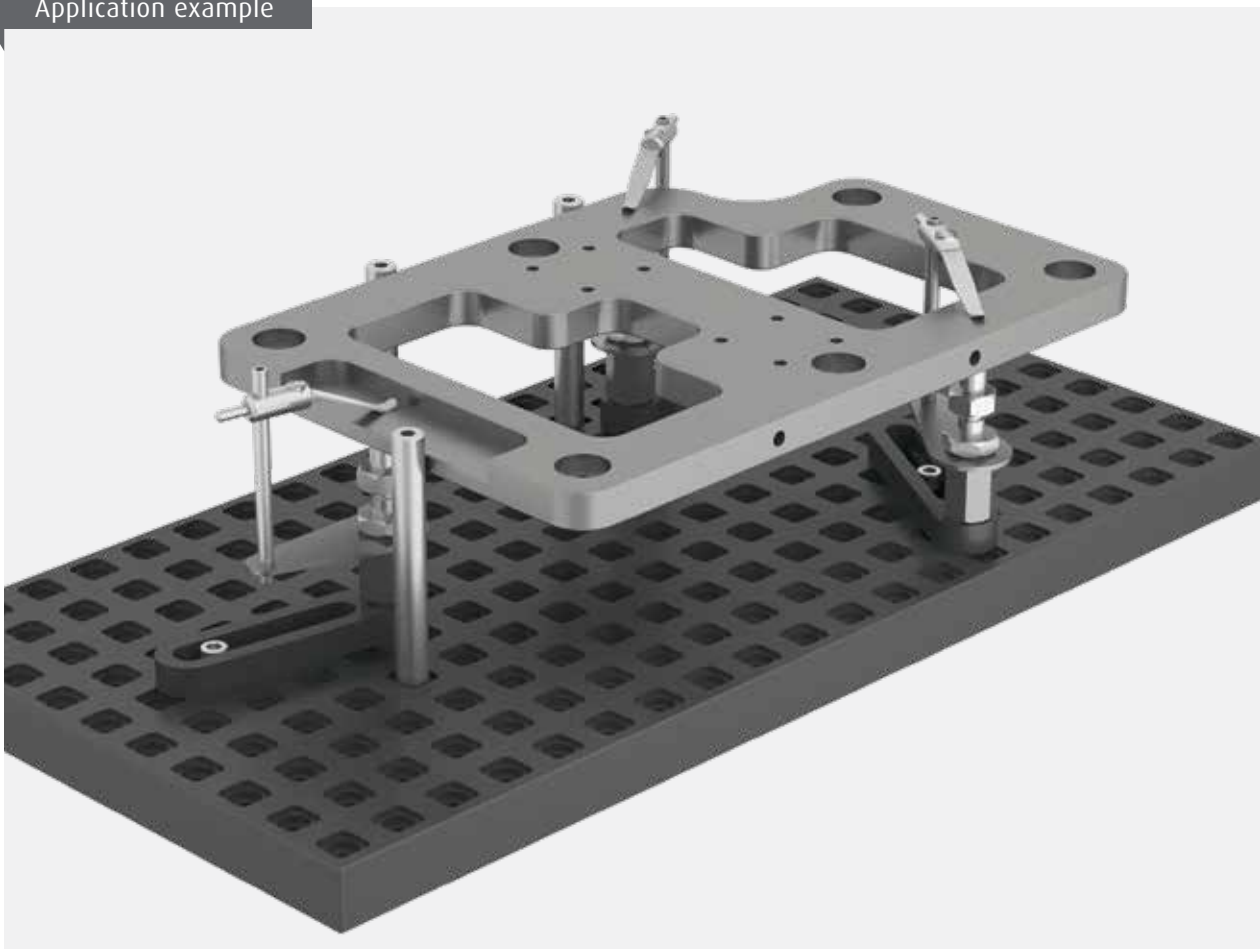
Material

Stainless steel.



Order No.	Hole	Overhang
353700	Ø 10	50
353800	Ø 10	72

Application example



Toggle clamps with support

Description

Toggle clamp with support and M10 thread.

Supplied with

Locknut.



Application example



Order No.	Overhang	Clamping range	Height
336300	32	0-20	100
336400	51	0-27	115

M 10

Application example



Toggle clamp (used without support) with workpiece.

T-slot / Cuboid adapter

Description

Adapter for mounting cuboid modules on Spannfix T-slot plates.

Material

Aluminium/steel.

Supplied with

T-slot nut.



Application example



Order No.	Length	Width	Height	Weight
366300	50	25	35	0.09

Quad
T-Nut 6

Application example

With this interface, *QUADERFIX* components can be mounted onto *SPANNFIX COMPONENTS*.



SWA 39 quick-action clamp for QUADERFIX

Description

SWA 39 quick-action clamp for direct fastening on cuboid plates.

Material

Hard-coated aluminium.

Supplied with

Fastening screw.



Order No.

Height

362900

21.5

SWA 39
Quad

Application example

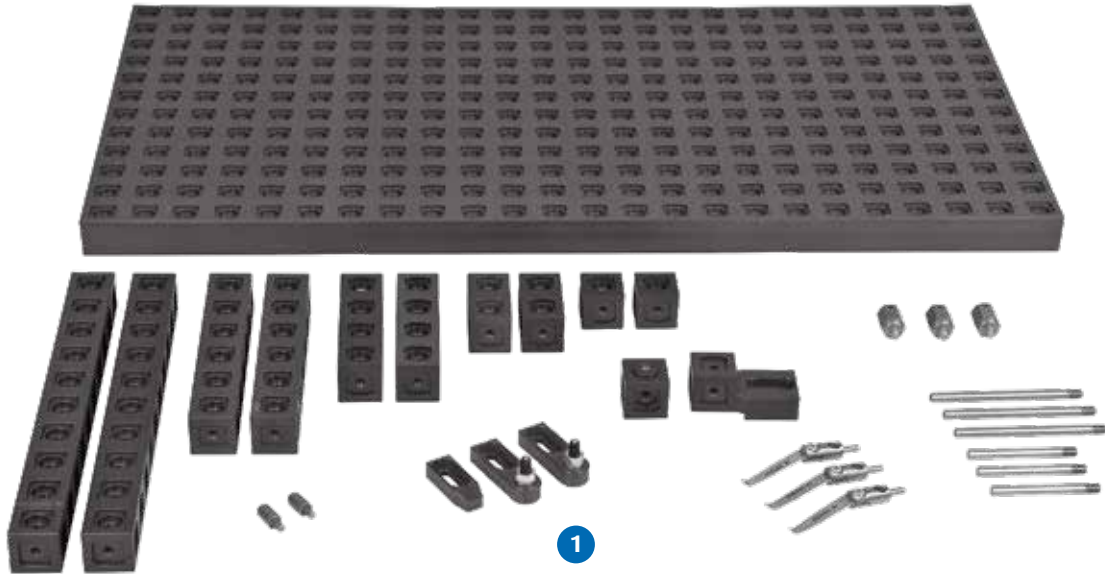
With this interface, quick-change SWA 39 components can be mounted onto the QUADERFIX system.



Quaderfix basic sets

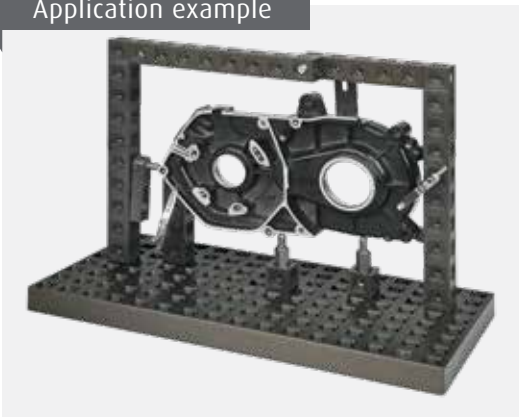
Description

Set with various cuboid elements for mounting medium-sized test parts. The basis is formed by a 500 mm x 250 mm or 600 mm x 300 mm baseplate.



* Fasteners not shown.

Application example



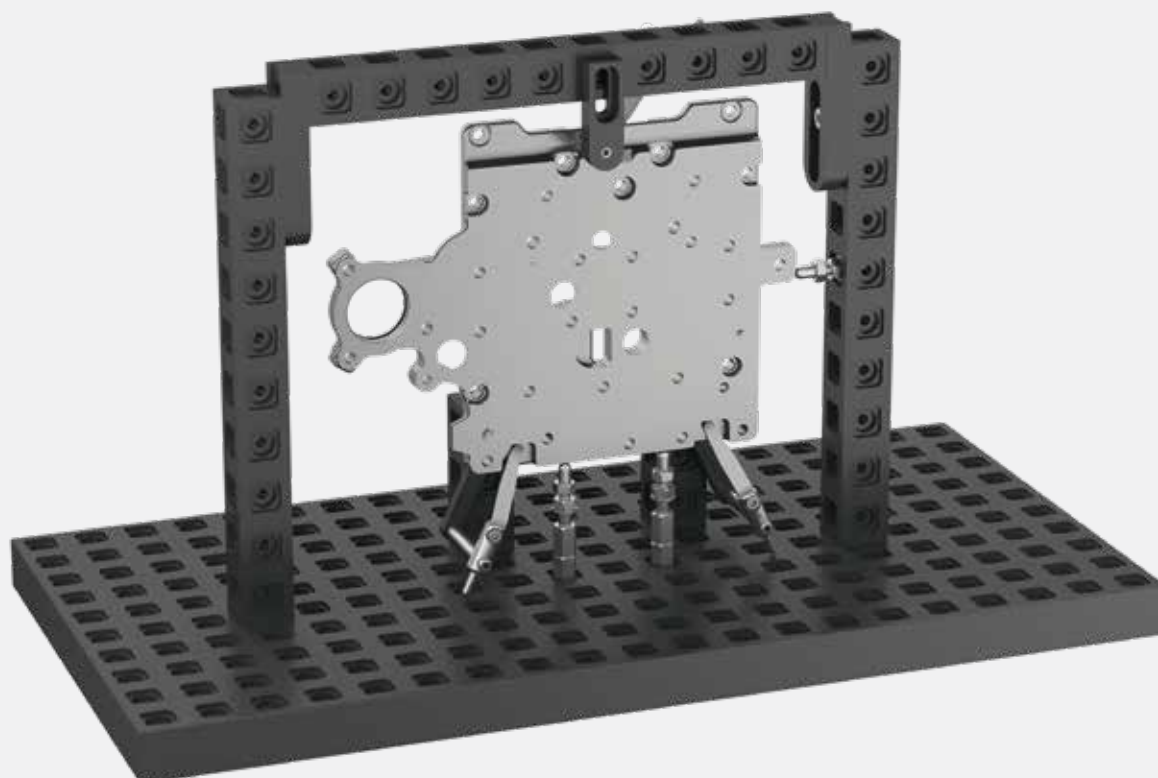
Set versions

Order No.	Description	Baseplate	Fig.
369915	Quaderfix basic set "1"	500 x 250	
369920	Quaderfix basic set "2"	600 x 300	1

Set contents

Order No.	Description	Set "1"	Set "2"
362000	500 x 250 mm cuboid baseplate	1	-
362100	600 x 300 mm cuboid baseplate	-	1
364700	250 mm cuboid columns	2	2
364500	150 mm cuboid columns	2	2
364300	100 mm cuboid columns	2	2
364100	50 mm cuboid columns	2	2
364000	25 mm cuboid columns	2	2
366500	Cuboid rotatable adapters	1	1
366400	Cuboid adjustable mount	1	1
366700	Cuboid adjustable stop	2	2
366600	Cuboid fixed stop	1	1
368200	50 mm columns for spring fingers	3	3
368300	75 mm columns for spring fingers	3	3
302800	50 mm spring finger	3	3
356600	M5 adapter for support pins	2	2
356400	M6 adapter for support pins	1	1
319400	R4 x 15 mm support pin	3	3
369800	Quaderfix fastener set "1"	1	1

Application example



Quaderfix expansion set

Description

Expansion set with further Quaderfix modules for assembling more complex clamping fixtures.



Set versions

Order No.	Description
369930	Quaderfix expansion set

Set contents

Order No.	Description	Quantity
364700	250 mm cuboid column	1
364600	200 mm cuboid column	2
364500	150 mm cuboid column	1
364400	125 mm cuboid column	1
364300	100 mm cuboid column	1
364100	50 mm cuboid column	1
364000	25 mm cuboid column	1
366500	Cuboid rotating adapter	2
366400	Cuboid adjustable mount	1
366700	Cuboid adjustable stop	1
366600	Cuboid fixed stop	1
359700	Pair of cuboid 90° inverted V-blocks, 50 mm	1
359400	Pair of 120° cuboid V-blocks, 100 mm	1
368400	100 mm columns for spring fingers	3
302800	50 mm spring finger	1
302900	75 mm spring finger	2
356600	M5 adapter for support pins	1
356400	M6 adapter for support pins	2
357700	Rails for support pins	2
319500	R4 x 20 mm support pins	3
319300	90° centre point for support pins	3

Quaderfix fasteners

Description

Fasteners for Quaderfix in a practical assortment box. Consisting of i.e. bushes, adapters and clamping screws in various lengths, for mounting individual cuboid elements. Two set versions available.



Set versions

Order No.	Description	Fig.
369800	Quaderfix fastener set "1"	1
369900	Quaderfix fastener set "2"	

Set contents

Order No.	Description	Set "1"	Set "2"
367000	Centring plates	10	20
367100	M5 tapped bushes	5	10
367200	Centring rings	5	10
369100	Thread reducers - male M6 / female M8	-	2
369200	Thread reducers - male M5 / female M8	-	1
	Screws M5 x 14	15	30
	Screws M5 x 16	15	30
	Screws M5 x 30	15	30
	Screws M5 x 45	10	20
	Screws M6 x 12	15	30
	Screws M6 x 16	15	30
	Screws M6 x 20	15	30
	Screws M6 x 25	15	30
	M5 washers	40	40
	M6 washers	40	40
	2.5 mm hexagonal key	-	1
	3 mm hexagonal key	-	1
	4 mm hexagonal key	-	1