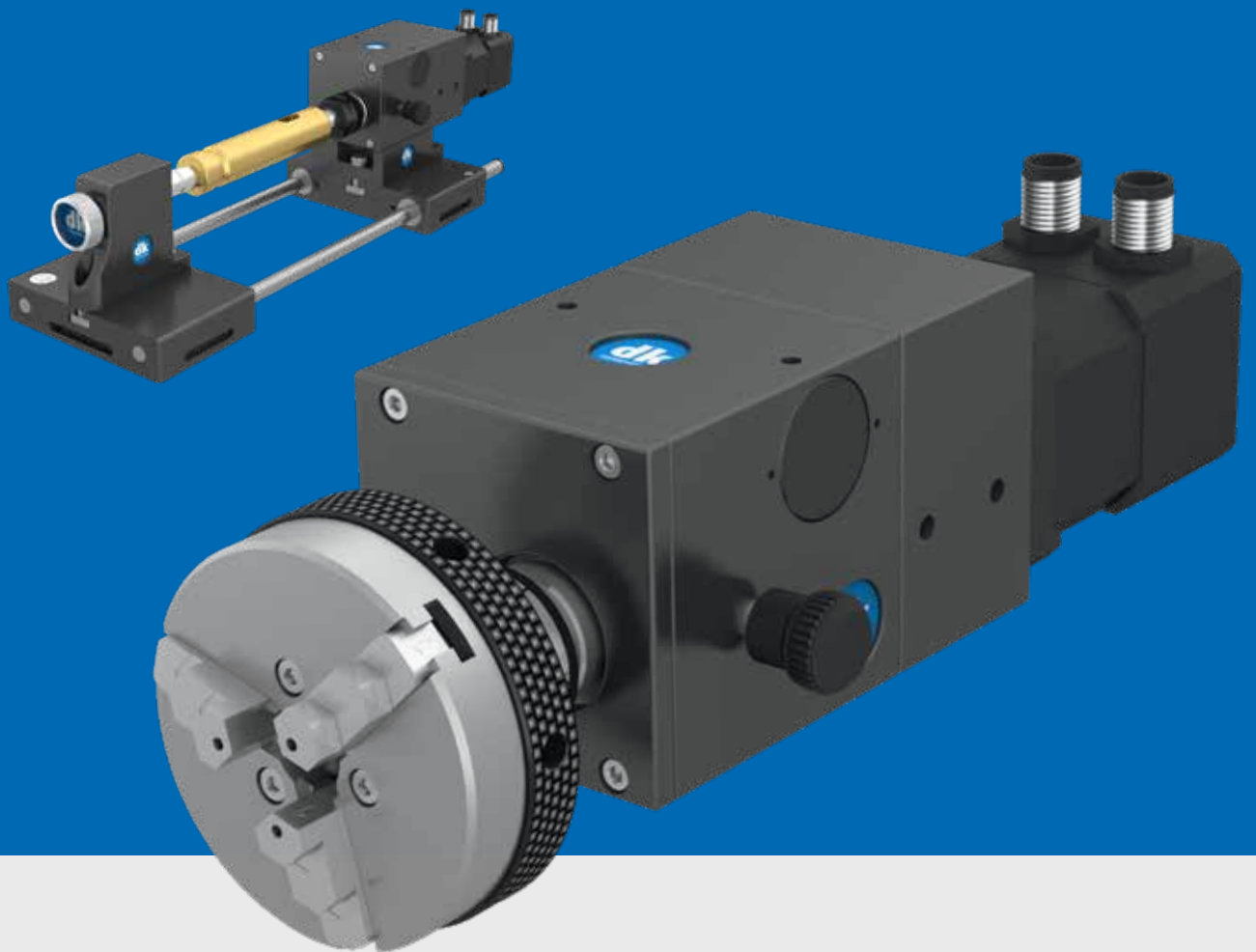


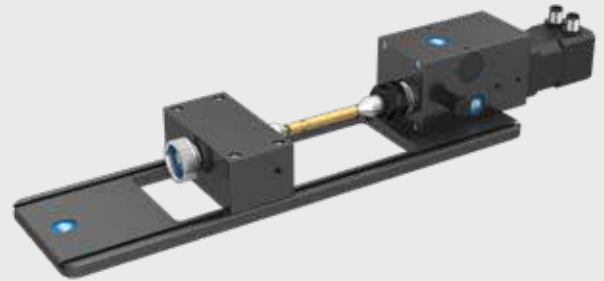
*Digital
Positioning systems*

*Dividing head and tailstock
with motor control*



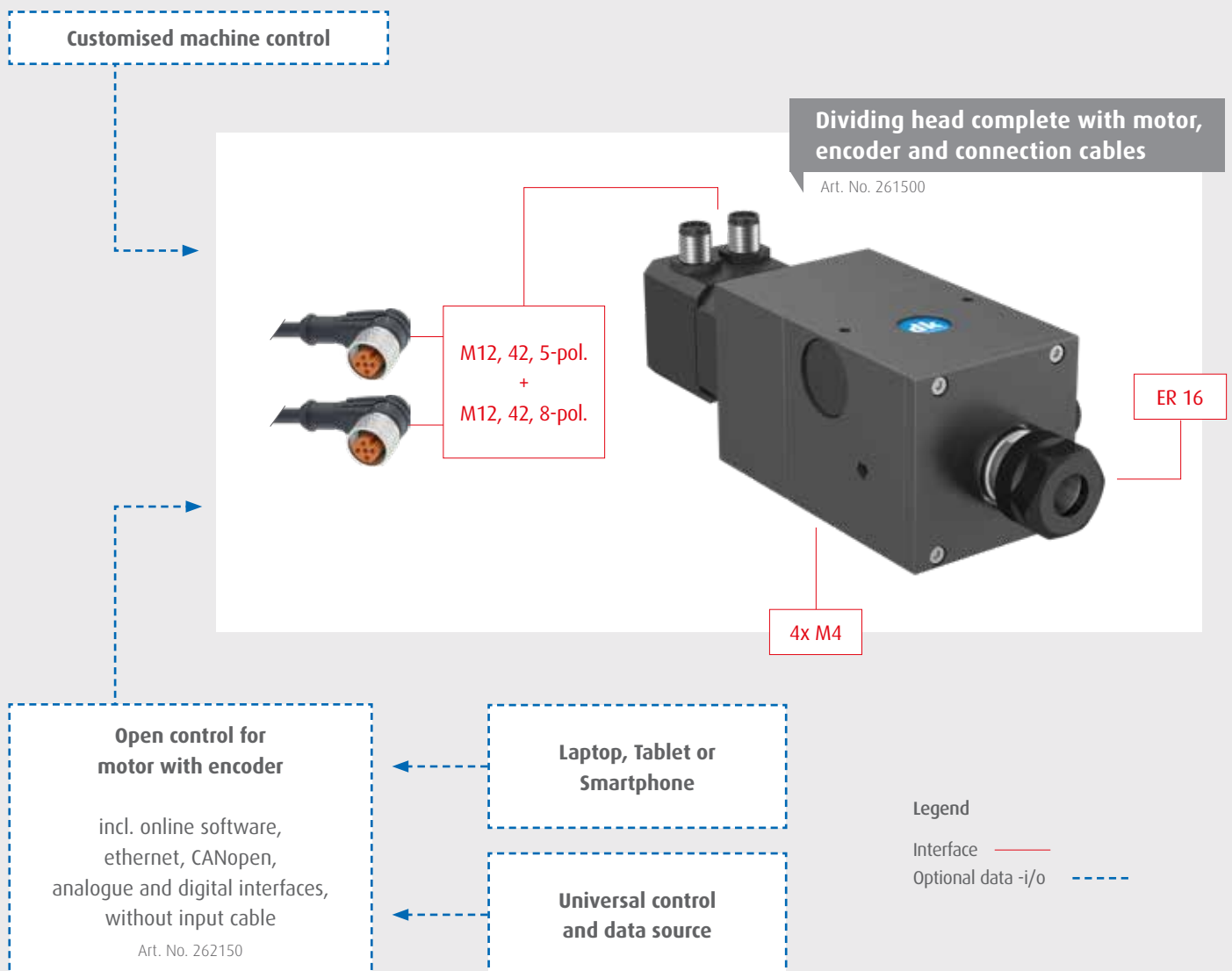
Efficient processing through motorised dividing head with position feedback via encoder

Optical or tactile measurements as well as laser applications are often not carried out in one arbitrary position but in several precisely defined angular positions. Automation in the form of a controlled rotary positioning drive brings the following advantages compared to manual adjustment:



Advantages

- » Rapid approach to the angular position
- » Precise and repeatable adjustment of the rotation angle
- » Position feedback for perfect results and documentation
- » Can be integrated into intelligent overall control systems for high productivity
- » Maximum time saving
- » Highest process reliability





Configuration options

Configuration options for the dk dividing head with motorised drive for use as a rotary unit via ER16 interface optionally with interchangeable...

- » Chucks up to Ø 65 mm
- » Collets Ø 0.5 to 10 mm
- » Conical or hollow centres with various diameters and angles

Additionally with tailstock as support for long parts, on adjustable base plate or height-optimised optics pallet.

Optionally available without motor for mounting a customer's own drive on the standardised NEMA 17 interface (Art. No. 261510).



Mechanical dividing head without motor

The purely mechanical dividing head without motor, manual operation with handwheel, reduction ratio of 1:40, scale disc, vernier display and spindle lock can be found with accessories as standard in the dk general catalogue (Art. No. 261000). This can be upgraded with a digital display unit incl. rotary transducer to optimise manual positioning (Art. No. 261200).

Module system

We have been pursuing the philosophy of the modular system for many years as a manufacturer of fixation systems for measuring, laser, dispensing and handling technology. The modular structure, compatibility and above all the number of combinable functional elements give our programmes a very high utility value.



A multitude of possibilities with the dk modular system

The modular system from dk provides numerous options for placing the motorised or manually driven dividing head to suit the machine and the process. The user can choose between the SWA39 quick-

change system, a large adjustable baseplate with tailstock, a pallet-tailstock configuration minimised in the Z-axis for optical systems, universal fastening by means of clamping claws, fastening via slot keys in

Integrating the dividing head into the machine environment



Alternative adaptation options for the dividing head to the machine (motorised or manual)



Baseplate with SWA39 connection
Art. No. 263100



Adjustable baseplate with tailstock
Art. No. 262500



Subplate with adjustable tailstock
Art. No. 262550



Mounting plate for clamping claws
Art. No. 262800



Riser for use on T-slot plates
Art. No. 261050

SWA 39



Quick-action clamp with fastening screw
Art. No. 28520x (x = M)
Art. No. 285300 for T-slot 6



Clamping claws with fastening screw
Art. No. 26300x (x = M)



Clamping claws or spring fingers
from main catalogue



Clamping claws with fastening screw
Art. No. 26300x (x = M)

Screws up to M12 or T-slot 6

Screws up to M8

Screws up to M8 or columns for spring fingers

Screws up to M8

Slot keys for T-slot 6 or other

Machine environment in the form of a clamping base with thread or T-slot, a glass surface or any baseplate

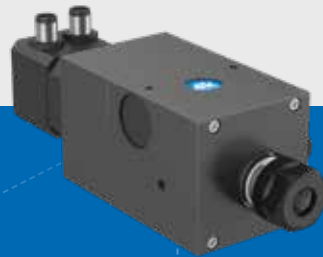


T-slot baseplates and completely universal fastening via the four tapped holes in the underside.

Our mission

We solve our customer's clamping problems and make their tasks easier, more successful and more efficient.

Clamping equipment for use with dividing head



Alternative clamping equipment for fixing workpieces in dividing heads (motorised or manual)

Precision three-jaw chuck

Ø	Article No.
34 mm	On request
50 mm	On request
65 mm	261351



Tailstock optional

Collet ER 16

Ø	Article No.
10	263409



Tailstock centres

Centre	Ø	Article No.
60° conus	0 - 12	349758
60° conus	10 - 22	349770
60° conus	0 - 12 stepped	349759
90° hollow	0.5 - 5 slitted	349700
90° hollow	2 - 15 slitted	349720
90° hollow	14 - 30 slitted	349730
90° hollow	2 - 15 stepped	349752



Tailstock required

Collet set ER 16

Ø	Article No.
0,5 - 10	263450



Collet ER 16, single

Ø	Article No.
0,5 - 1	263400
1 - 2	263401
2 - 3	263402
3 - 4	263403
4 - 5	263404
5 - 6	263405
6 - 7	263406
7 - 8	263407
8 - 9	263408
9 - 10	263409

Tailstock optional





The digital version of our catalogue is available here:
www.dk-fixiersysteme.de

The entire world of fixating, clamping and positioning.

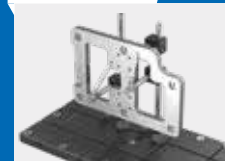
The ca. 1,000 parts of the comprehensive standard modular system of the dk fixation systems for measurement technology offers the following advantages:

- » Tried and tested modular system that has grown over decades
- » Modularity across different programmes
- » Solutions for every positioning task
- » Economic efficiency through synergy effects of several sector solutions

SWA39



SPANNFIX PRO



SPANNFIX ECO



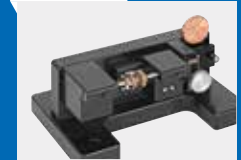
QUADERFIX



SCHIENENFIX



MICROFIX



SWA39CT



SPEZIALFIX



ARTICULAR SYSTEMS



dk FIXIERSYSTEME GmbH & Co. KG
 Ferdinand-Lassalle-Strasse 35
 72770 Reutlingen, Germany

Tel. +49 (0) 7121 90 97 10
 Fax +49 (0) 7121 90 97 120
info@dk-fixiersysteme.de
www.dk-fixiersysteme.de

modular. simple. better.



**FAST
 REASSEMBLY
 LIFELONG**

The basic principle of all dk fixating systems!

Our modular fixtures can effortlessly be disassembled and precisely reassembled at any time. The compatibility of the fixturing systems make the utility value perfect.