

*Fixturing systems*

***Clamping fixture sets for  
Swift-PRO and LVC series  
of Vision Engineering***



**Vision**  
ENGINEERING



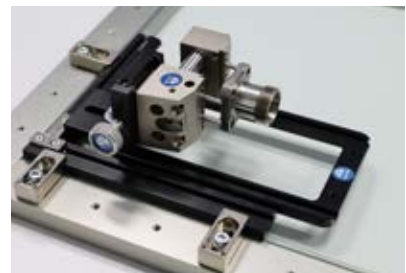
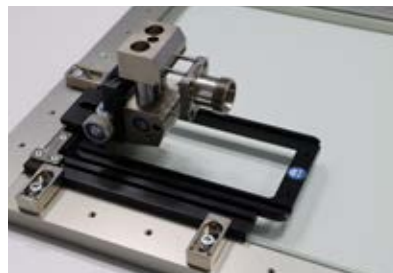
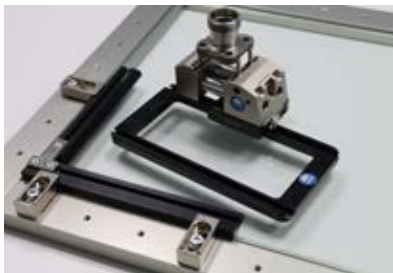
[www.visioneng.de](http://www.visioneng.de)

# Maximum modularity for optimum application flexibility

## **SCHIENENFIX – the fixturing system for multi-sensorial metrology equipment**

Versatile modular system for optical measuring machines, multi-sensorial devices, measuring projectors and measuring microscopes. The basis is a modular toothed rail system that accommodates the clamping elements directly or via a quick-change pallet system. Optionally available fixed or adjustable structural elements can be mounted in between to spatially position the test specimens optimally. The fine-toothed precision rails make objects with straight edges very easy to measure in transmitted light. The interchangeable pallets enable set-ups outside the measuring machine and zero point placement on the measuring device for a simple and rapid measuring process, especially advantageous for measuring adjacent to production.

### Application examples



Clamping set for milled, bent, punched and injection moulded parts

[www.visioneng.de](http://www.visioneng.de)

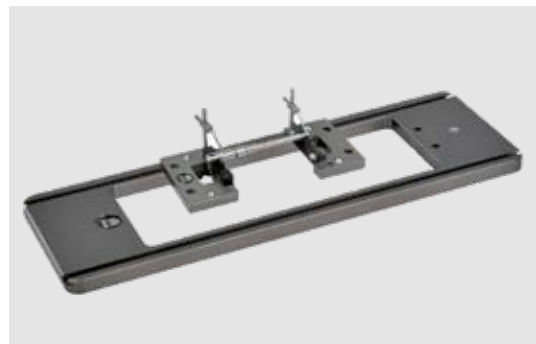
## Clamping fixture sets for Vision Engineering video measuring system Swift-PRO and 3-axis measuring system LVC

A basic rail configuration adapted to the respective equipment size and two universal fixating element sets form the basis for perfect alignment and fixation of many different parts. The Swift-PRO and LVC series fulfil various measuring tasks just as flexibly as the modular clamping system from dk solves the associated fixating requirements. The measuring device is suitable for measuring turned, milled, injection-moulded, punched and bent parts, and the basic equipment sets are also designed for this purpose. Measuring close to production is supported by dk with the quick-change pallet: set-ups outside the metrology machine serve to achieve maximum performance as a result of minimising unproductive machine downtimes as well as simplifying the overall process.

For special part geometries, many proven fixation elements that are 100% compatible with these basic sets can be found in the dk main catalogue with over 1,000 items. This means that the basic sets can be expanded indefinitely and adapted to any future requirements in terms of products and processes. Multi-clamping set-ups and special designs can also be realised without any problems.



### Application examples



Clamping set for turned parts

## Basic rail sets for Vision Engineering Swift-PRO and LVC series

### Description

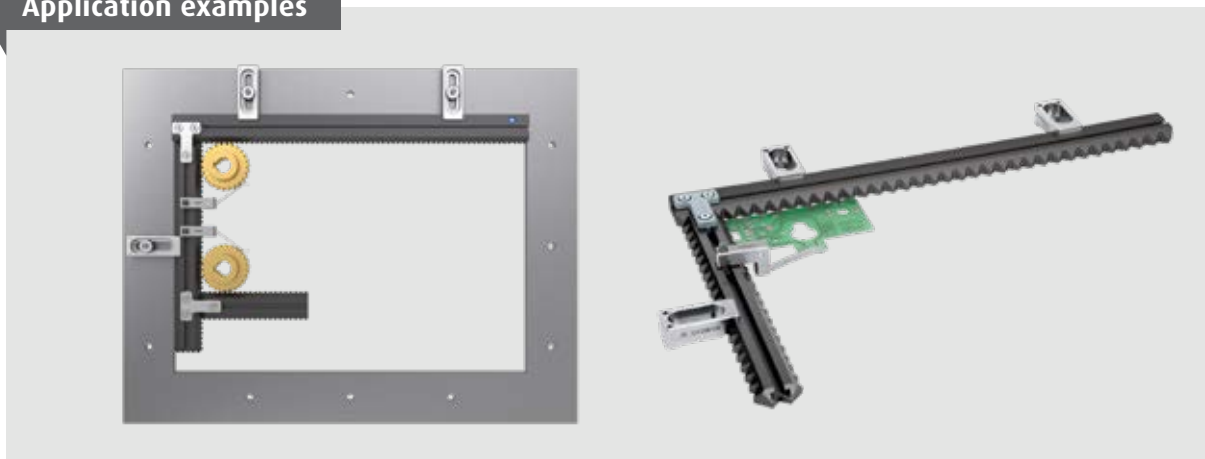
Fixturing set for optical measuring tasks. For the construction of a simple system frame that can be attached to threaded holes / grooves of the measuring table with clamping claws. Including 2 spring clamps to fix test parts quickly and easily.



Order No.	Metrology machine	Measuring window	Price
269979_200/100	Swift-PRO	200 x 100 mm	573 €
269979_200/150	LVC200(+)	250 x 150 mm	796 €
269979_400/300	LVC400(+)	400 x 300 mm	930 €

*Fine-toothed slot rail complete with fasteners and spring fingers*

### Application examples



### Set contents for different sized measuring windows

Order No.	Description	Swift-PRO	LVC200(+)	LVC400(+)
		200 x 100	200 x 150	400 x 300
345020	Base rail 250 mm / T 5	1	1	-
345420	Base rail 450 mm / T 5	-	-	1
347220	Connecting rail 100 mm / T 5	1	1	1
347420	Connecting rail 150 mm / T 5	-	1	-
346220	Connecting rail 250 mm / T 5	-	-	1
348000	Rail couplers	1	2	2
262914	Clamping claws 35 mm M 4	2	-	-
262915	Clamping claws 35 mm M 5	0	3	3
349100	Spring finger, left 34 mm	1	1	1
349200	Spring finger, right 34 mm	1	1	1
268500	Adapter for spring finger	2	2	2

## Expansion clamping set for turned parts

Order No: 269975-SD01 / Price: 1308 €

### 1 Quick-change pallet with 160 x 72 mm window

Description	Quantity	Order No.
Basic pallet 195x100x10 mm with T-slot and M6 hole to accommodate various clamping elements. The pallet together with the mounted clamping elements can be positioned and fixated on the toothed rail	1	345821



### 2 Tailstock pair for T-slot in toothed rail and pallet

Infinite mounting with any spacing, with one fixed and one movable adapter, incl. Ø 12 / 60 mm centres which can be exchanged for other sizes and types	1	349600
---	---	--------



### 3 V-block sets for T-slot in toothed rail and pallet

Infinite mounting with any spacing, one V-block is height adjustable for precise adjustment for stepped shafts; for Ø 8 to 28 mm, incl. columns and spring finger	1	345100
---	---	--------



### 4 120° V-block with spring finger

120° V-block with spring finger for fixating rotationally symmetrical parts via spring force; for vertical and horizontal positioning of test pieces	1	267900
Matching prism adapter	1	267910



## Expansion clamping set for milled, bent, punched and injection moulded parts

Order No: 269975-SF01 / Price: 2110 €

### 1 Quick-change pallet with 160 x 72 mm window

Description	Quantity	Order No.
<i>For description see clamping set for turned parts</i>	1	345821



### 2 SWA39 quick-action clamp for T-slot in toothed rail and pallet

For infinite positioning in the T-slot of toothed rail and pallet	1	273320
---	---	--------



### 3 SWA39 quick-action 90° clamp angle element

for mounting on the SWA39 quick-action clamp	1	283300
--	---	--------



### 4 Precision 50 mm vice

with SWA39 interface. Incl. adjustable stop, clamping width extension from 35 to 75 mm and pins for raised part positioning	1	282100
---	---	--------



### 5 Rotary swivel mount with fine adjustment and incrementation

Infinite rotation with optional 30° incrementation, adapter for all clamping elements with SWA5 such as small-part holders and small chucks	1	314900
---	---	--------



### 6 Small parts clamp, offset

For holding tiny parts via spring force; SWA5 adapter	1	266100
---	---	--------







The digital version of the catalog can be found under:  
[www.dk-fixiersysteme.de](http://www.dk-fixiersysteme.de)



Available from



Vision Engineering Ltd  
 Anton-Pendele-Straße 3  
 82275 Emmering, Germany

Tel. +49 (0) 8141 40167-0  
 info@visioneng.de  
 www.visioneng.de



dk FIXIERSYSTEME GmbH & Co. KG  
 Ferdinand-Lassalle-Straße 35  
 72770 Reutlingen, Germany

Tel. +49 (0) 7121 90 97 10  
 Fax +49 (0) 7121 90 97 120  
 info@dk-fixiersysteme.de  
 www.dk-fixiersysteme.de

*modular. simple. better.*

# The entire world of fixating, clamping and positioning

The around 1,000 part comprehensive standard construction sets of the dk fixating systems for measuring technology offer the following advantages:

- » Modular system that has grown and proven itself over decades
- » Modularity across different programmes
- » Solutions for every positioning task
- » Economic efficiency through the synergy effects of several sector solutions

SWA39



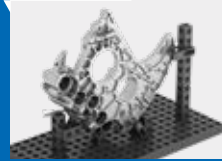
SPANNFIX PRO



SPANNFIX ECO



QUADERFIX



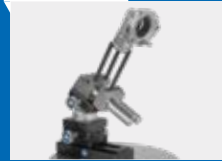
SCHIENENFIX



MICROFIX



SWA39CT



SPEZIALFIX



ARTICULAR JOINT SYSTEMS



SWA39SURF



**FAST  
 REASSEMBLY  
 LIFELONG**

The basic principle of all dk fixating systems!

Our fixtures are modular in design, can be dismantled at any time and can be identically reassembled again. The compatibility of the dk fixation systems makes the utility value perfect.